

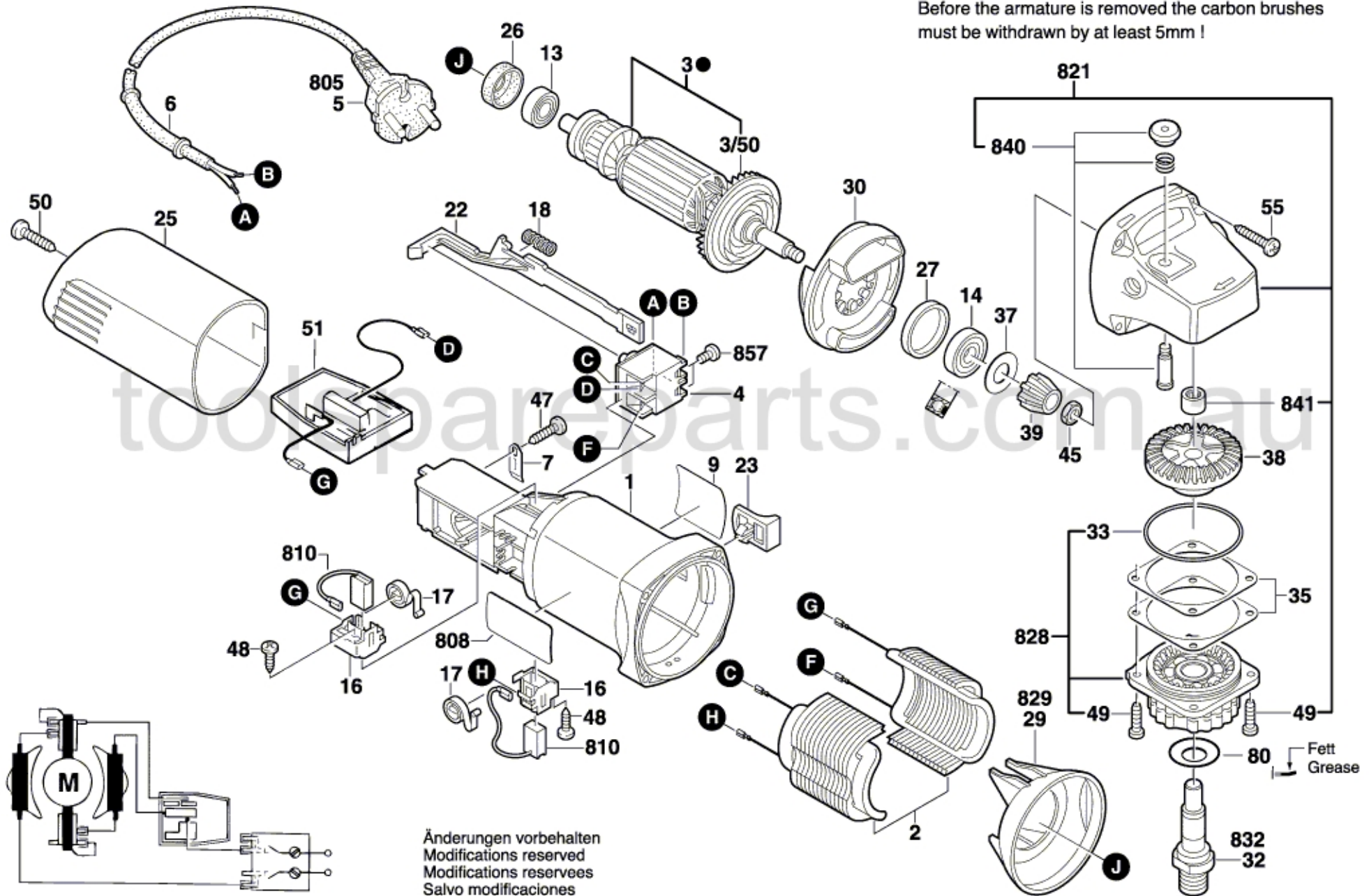
0 601 377 6A6

Stand } 08-07
Issue } 14-07-22

Fig./Abb. 1

Gerad - Verzahnung

- Vor Demontage des Ankers
Kohlebürsten 5mm zurückziehen !
Before the armature is removed the carbon brushes
must be withdrawn by at least 5mm !



Änderungen vorbehalten
Modifications reserved
Modifications reserves
Salvo modificaciones